

8 7 6 5 4 3 2 1

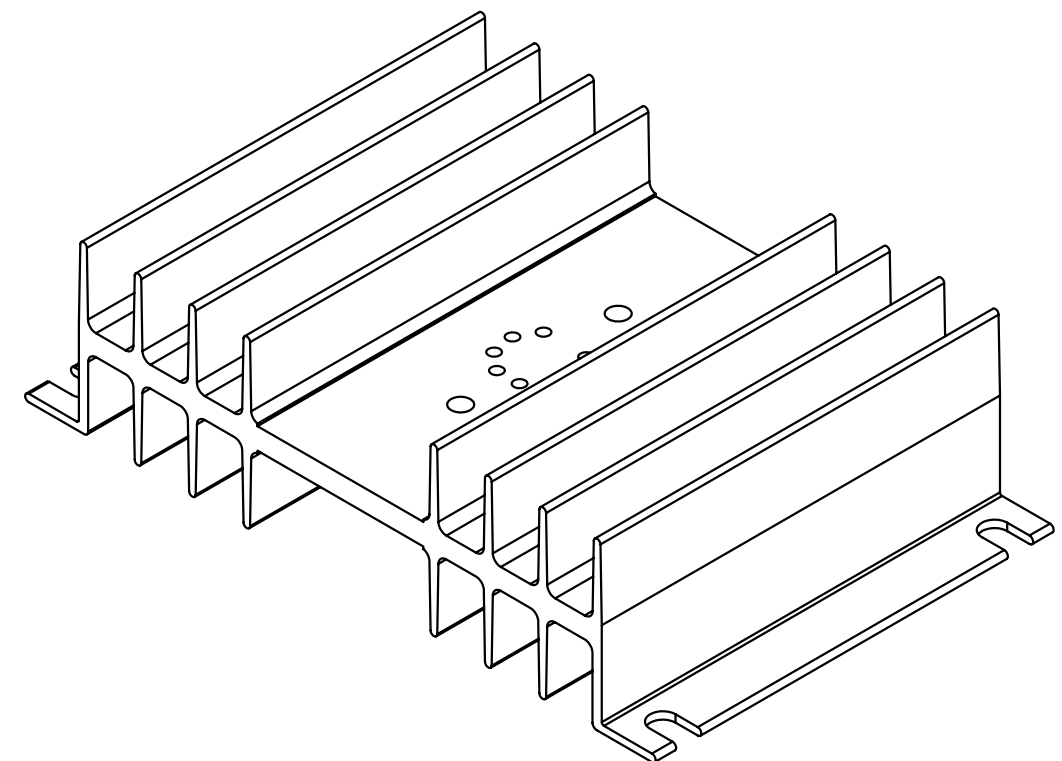
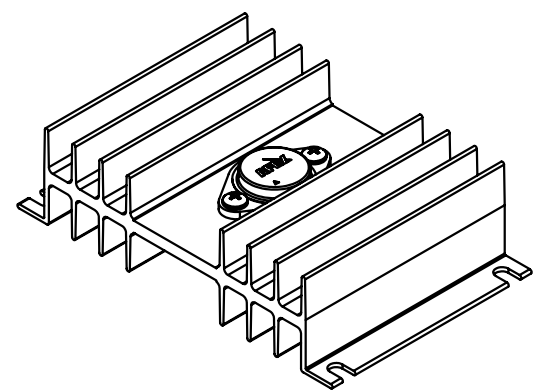
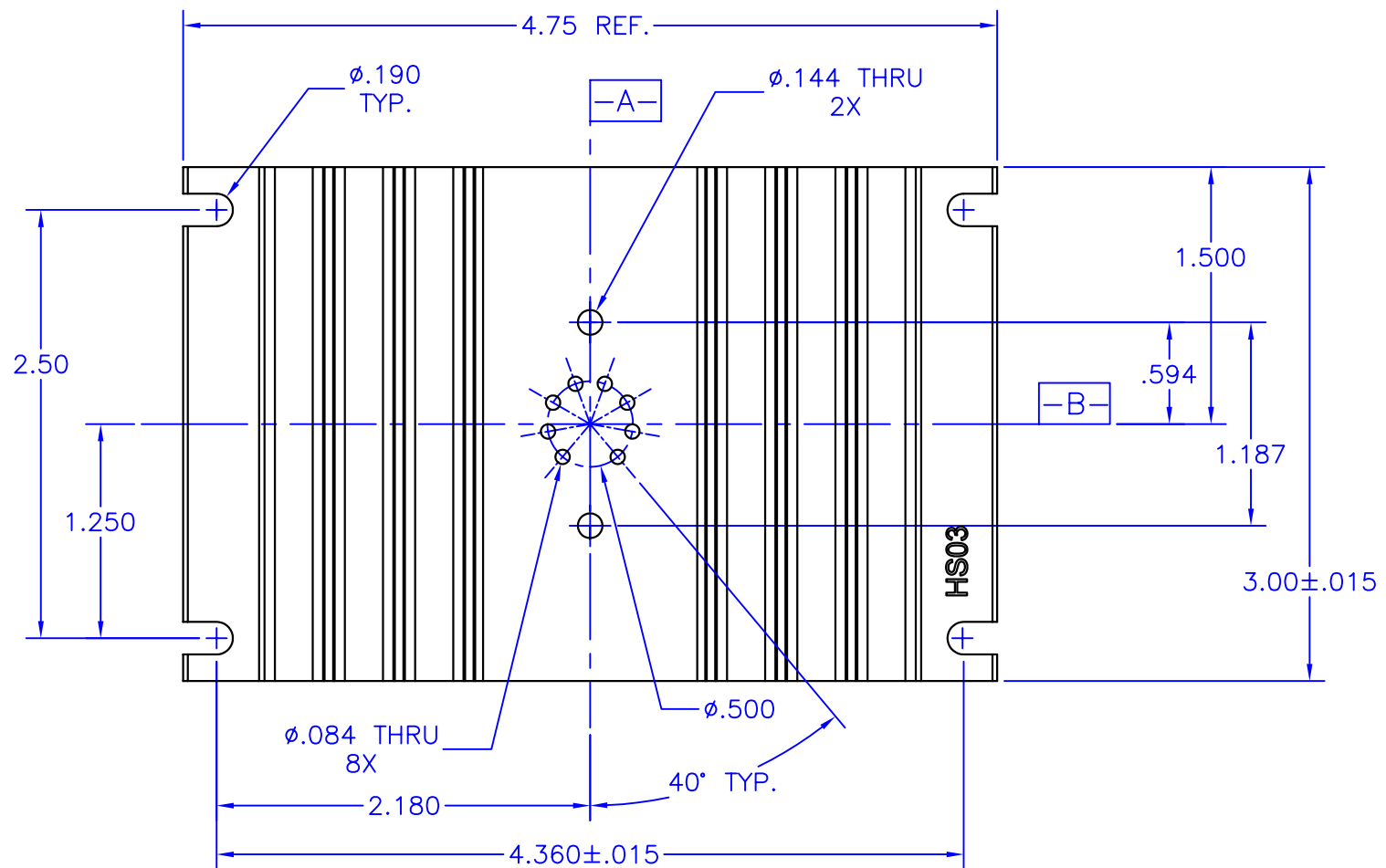
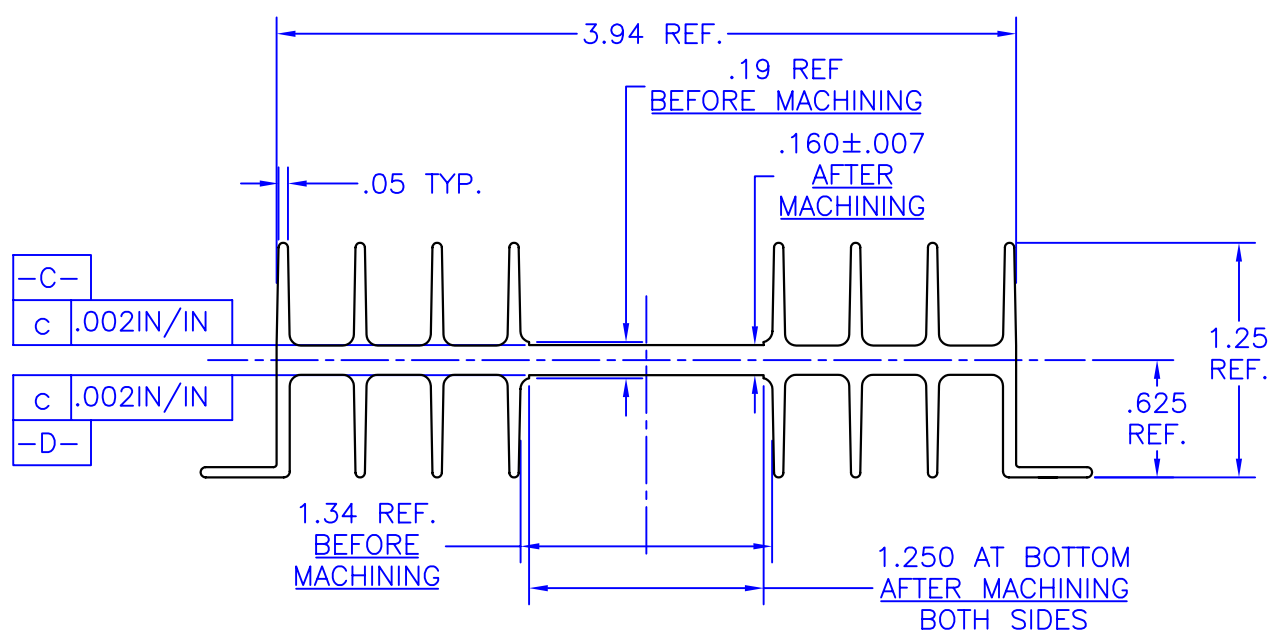
E

D

C

B

A



NOTES:

1. Unless otherwise noted, all dimensions are in inches.
2. Break all sharp edges, de-burr & remove loose chips.
3. Material: 6063-T5 aluminum (AAVID Thermalloy extrusion 60050)
4. Finish: Anodize per MIL-A-8625, Type II, Class 2, Black
 Typical breakdown voltage > 300V
5. Mark with contrasting ink as shown, if specified by P.O.
6. Approximate Weight: 6.2 oz [176g]

TOLERANCES - UNLESS OTHERWISE SPECIFIED		TITLE		PART NO.	
.XX = ±.01		HEATSINK, TO3		HS03	
.XXX = ±.005		SUBJECT MECHANICAL DRAWING			
ANG. = ±.5°		ENR D-M TECH/DRW D-M DCA 46411 SCL 1 1 FILENAME HS03-G REV G DATE 10/13/04			

8 7 6 5 4 3 2 1